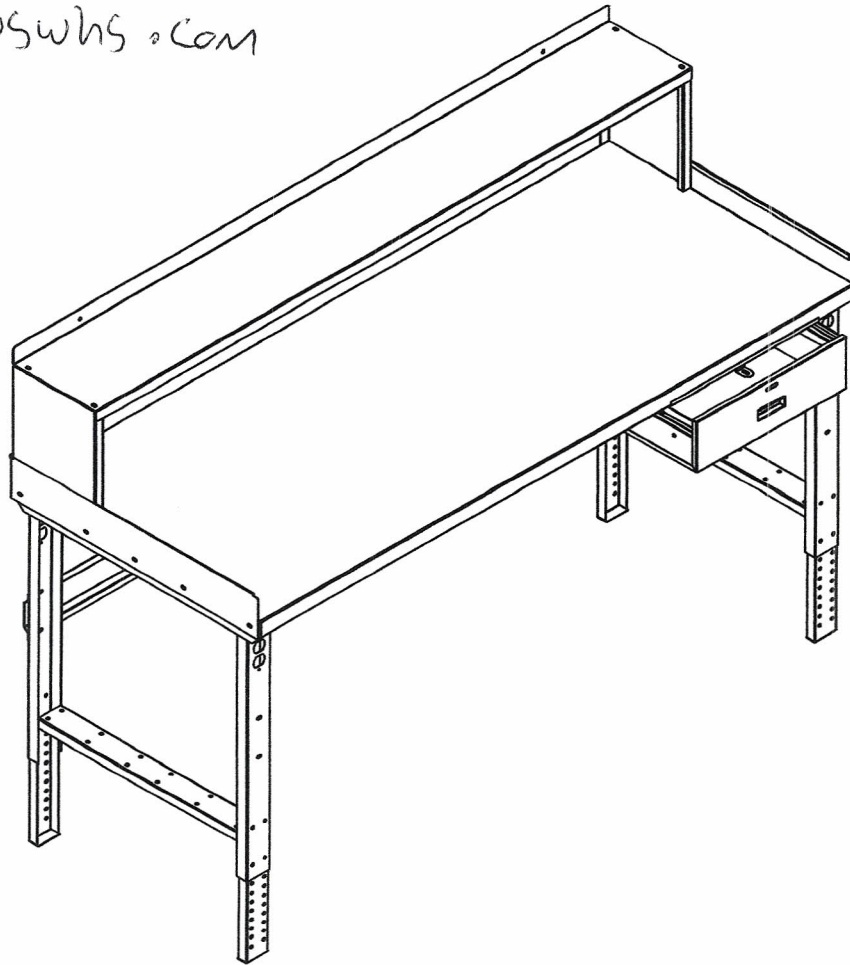


Black Tie work Bench

A PLUS WAREHOUSE

www.apluswhs.com



GENERAL INSTRUCTIONS

1. Check material received against the packaging list. First check the number of packages recieved and then check the contents of each package.
2. Check material recieved for damage. If damage has ocured, secure a "damage notation" from the carrier.
3. Identify each part as it is unpacked and put like parts together as close as possible to the working area in which they are to be assembled.
4. Be careful to use the correct hardware as specified in the assembly instructions.
5. Items with suffix (xx) are available

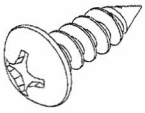
CAUTION

IN THE INTEREST OF SAFETY, ALL LOCKERS MUST BE SECURELY ANCHORED TO THE FLOOR AND/OR WALL. FOR SAFETY, HANDLE ALL COMPONENTS CAREFULLY AND WEAR WORK-GLOVES WHEN ASSEMBLING LOCKERS. INSTALL ALL UNITS PLUMB AND TIGHTEN ALL HARDWARE SECURELY. RETAIN INSTRUCTIONS FOR FUTURE REFERENCE.

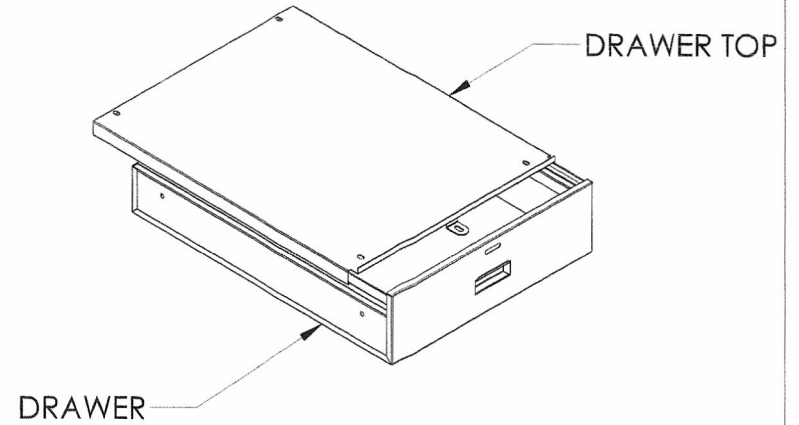
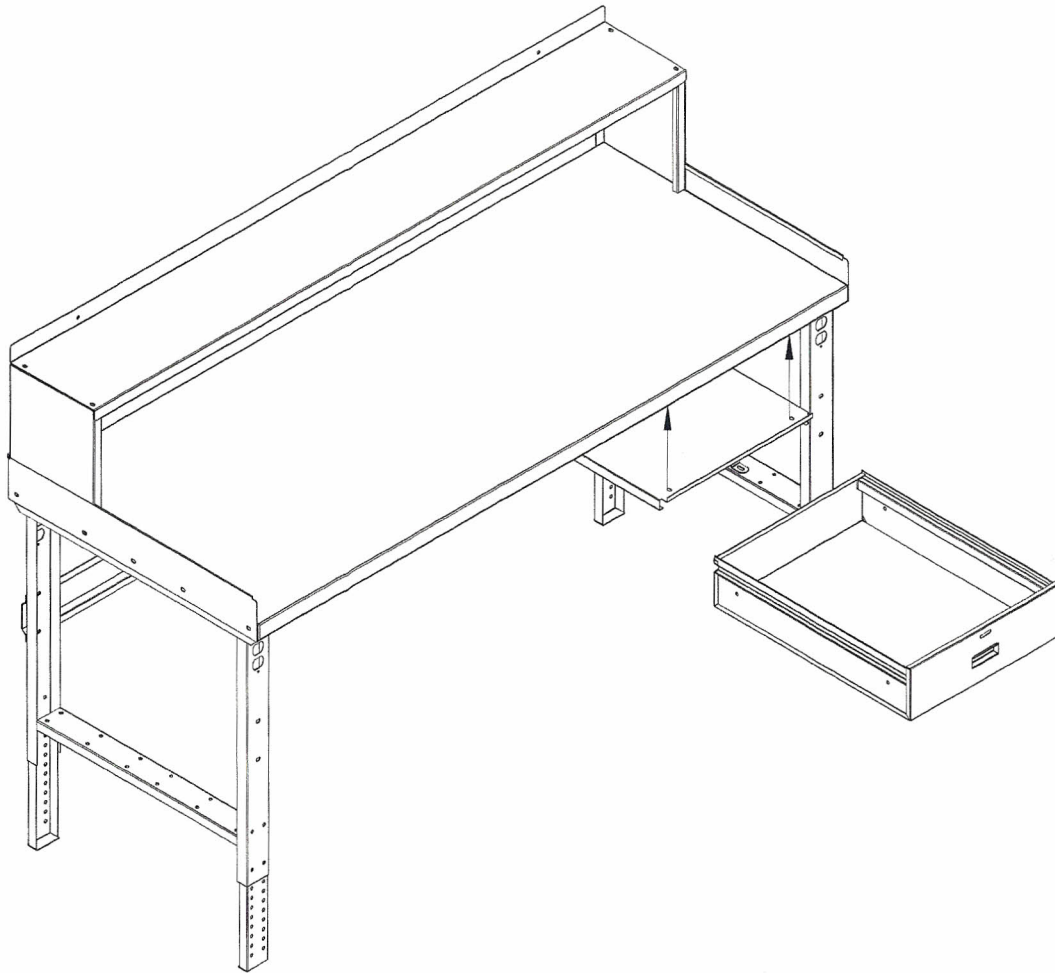
DRAWER ASSEMBLY

A PLUS WAREHOUSE
www.apluswhs.com

HARDWARE



A. #14 X 3/4



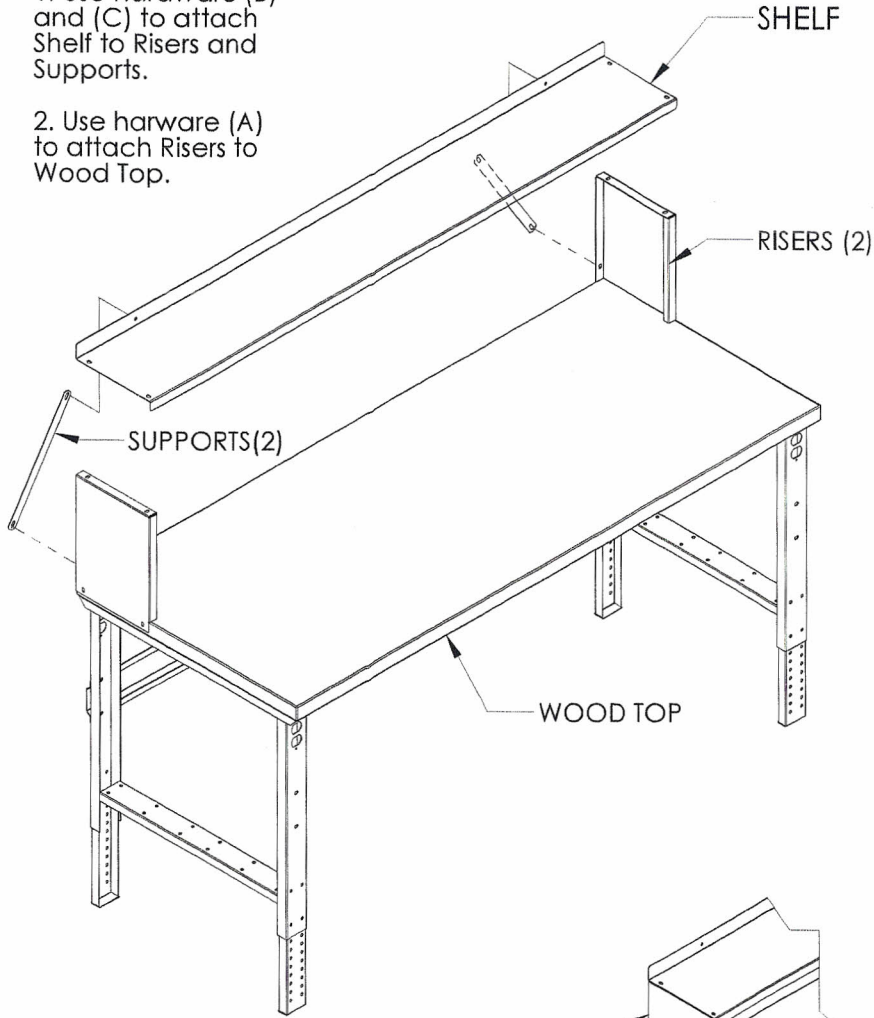
1. Remove Drawer Top from Drawer.
2. Use 4 (A) screws to attach Drawer Top to the underside of the Wood Top.
3. Slide Drawer into Drawer Top.

Black tie
work bench

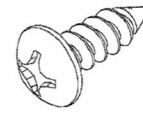
RISER ASSEMBLY

1. Use hardware (B) and (C) to attach Shelf to Risers and Supports.

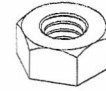
2. Use hardware (A) to attach Risers to Wood Top.



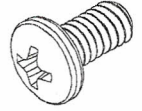
HARDWARE



A. #14X3/4

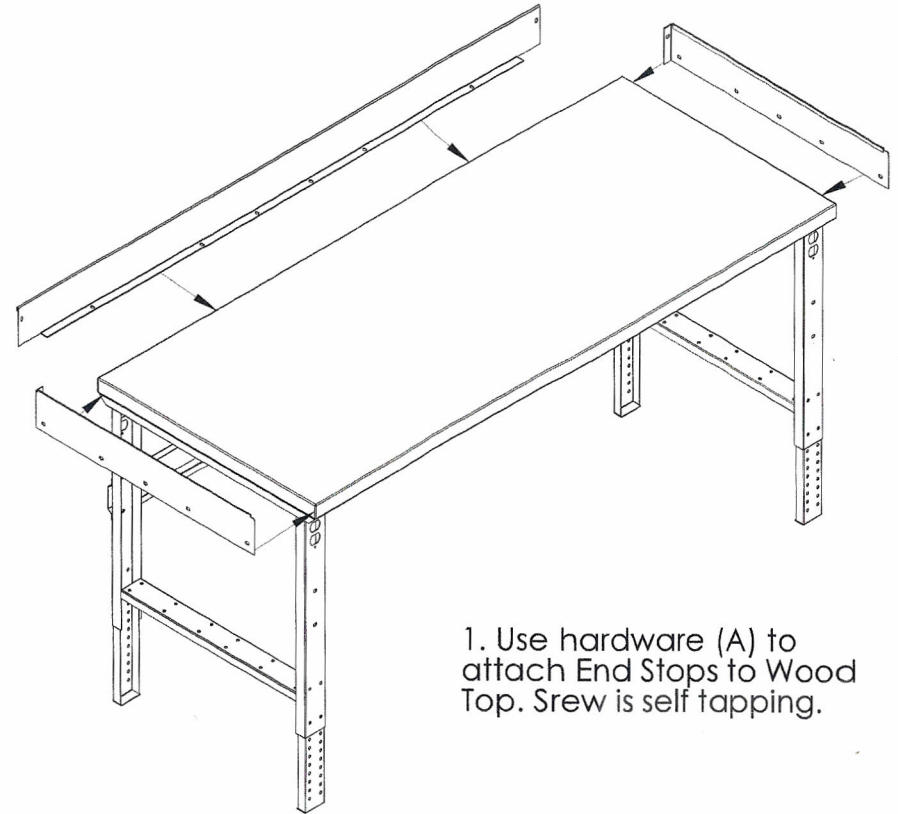


B. 1/4-20

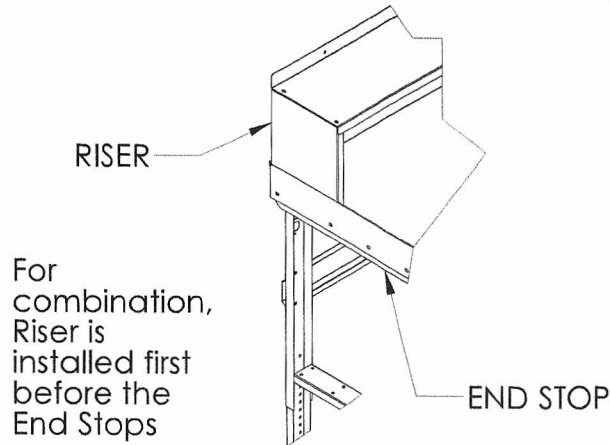


C. 1/4-20 X 1/2

END STOP ASSEMBLY



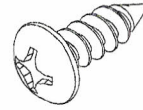
1. Use hardware (A) to attach End Stops to Wood Top. Screw is self tapping.



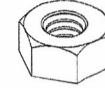
For combination, Riser is installed first before the End Stops

WORK BENCH ASSEMBLY

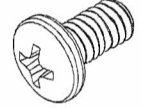
HARDWARE



A. #14X3/4



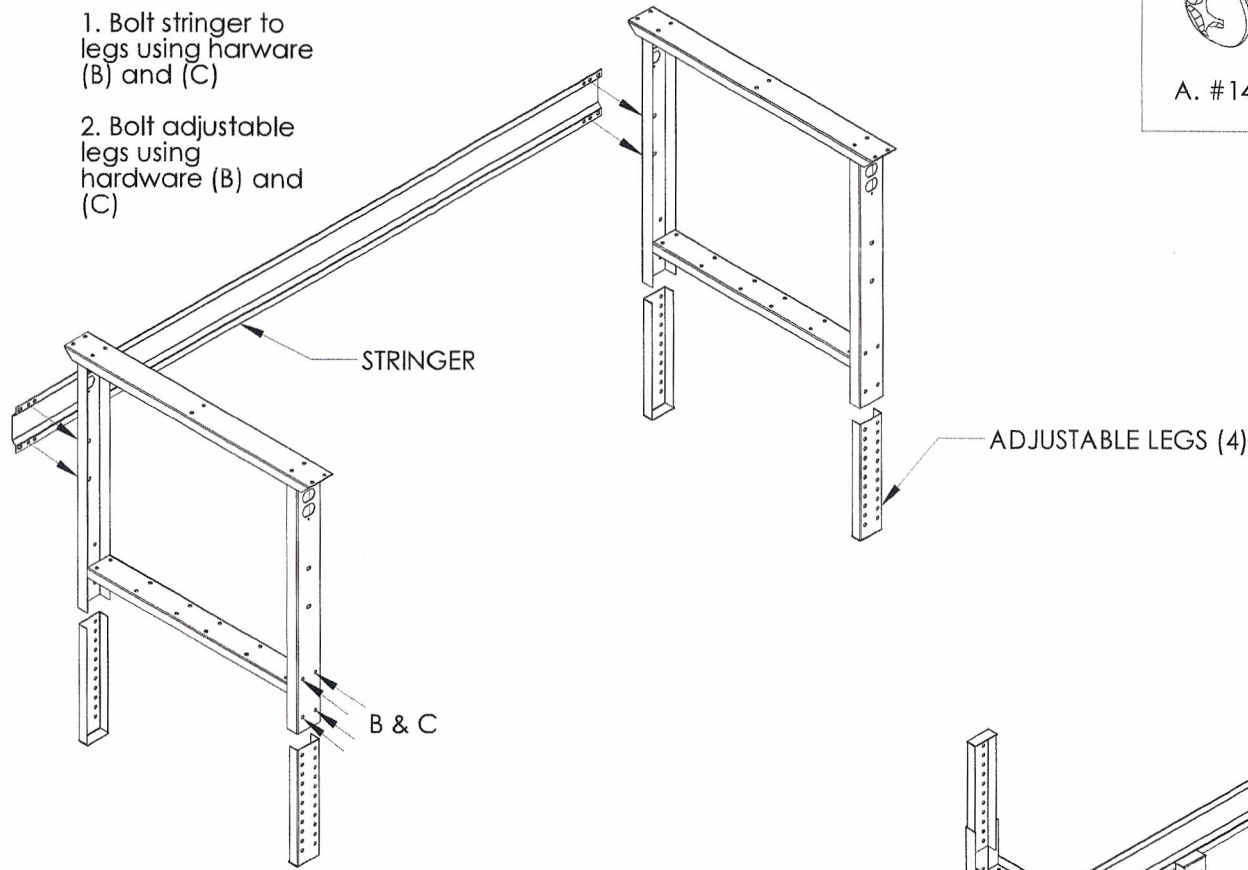
B. 1/4-20



C. 1/4-20 X 1/2

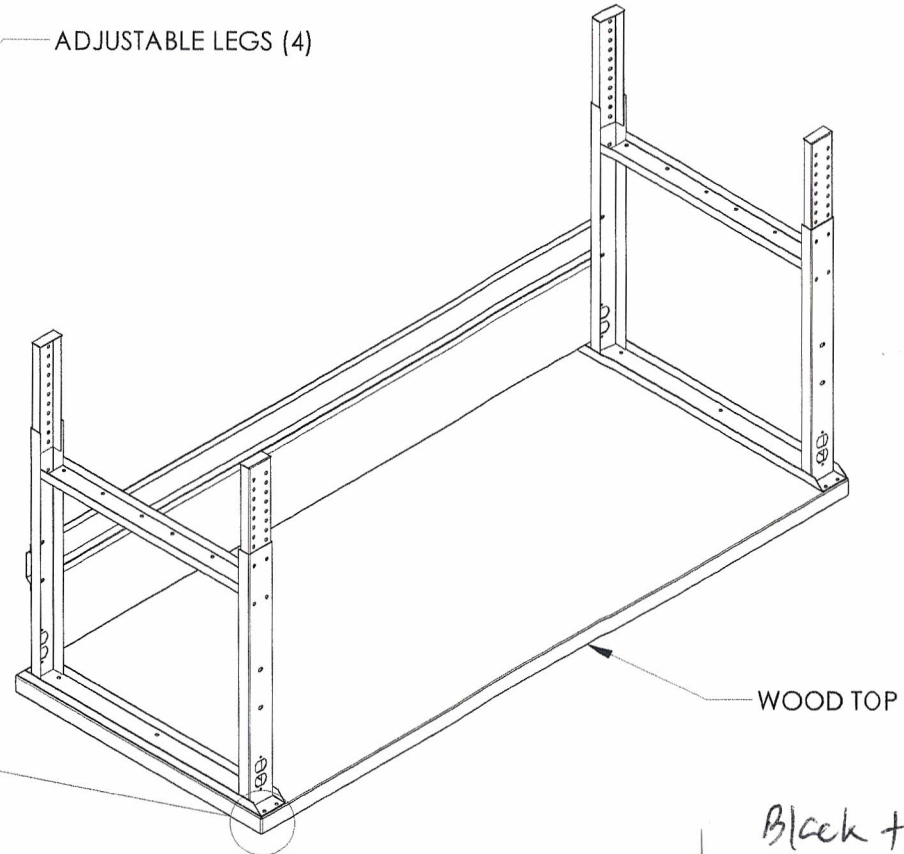
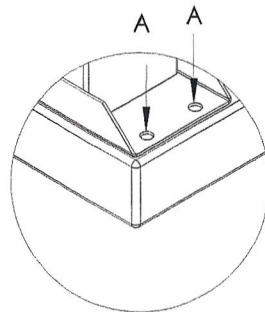
1. Bolt stringer to legs using hardware (B) and (C)

2. Bolt adjustable legs using hardware (B) and (C)



3. Place legs on wood top and center.

4. Use hardware (A) self tapping screw to attach legs to the wood top at 8 places.



Black tie
Work bench.