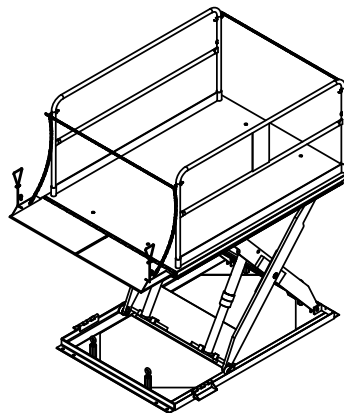


Truck Scissor Dock Survey Sheet - WL-100

Inquiry Date: _____ Due Date: _____
 Contact: _____
 Company: _____
 Phone: _____
 Fax: _____
 E-mail: _____



PLATFORM SIZE **Not Critical**

Overall Width: _____
 Overall Length: _____
 Usable Width: _____
 Usable Length: _____

Travel:

Lowered Ht.: _____
 Raised Ht.: _____
 Travel: _____

Table Capacity: _____

Previous Quote or Order #: _____

POWER (Check One)

_____ A/C (110V _____ 220V _____ 460V _____ Other _____)
 _____ Single Phase _____ Three Phase

Controls: (HAND STD FOOT _____ NONE _____)

Power Unit: EXTERNAL STD INTERNAL _____

IF External - Length on Cords (8' STD) _____

PRODUCT INFO

Load / Product type:
 Basket / Pallet / Gaylord / Skid
 Other: _____

Product Size:
 Length: _____
 Width: _____
 Height: _____

Does container have feet? _____
 Does container have drop sides?
 Yes / No

Options:

_____ Accordion Skirting (Bellows) **NOT FOR USE IN PIT APP. DOES NOT MEET ANSI MH29.1**

_____ Special Color: _____ RAL #: _____

_____ Surface Mt. _____ Pit Mount (No Accordion Skirts on Pit Mt. units)

_____ Portable WL-WK Wheel kit (5K & 6K ONLY)

Additional options: _____

Pit Info:

_____ Existing Pit _____ New Pit Construction

_____ Pit Dimensions w/ Drawing: _____

_____ Reinforcing Angle _____ Dock Height / If Applicable: _____

Application Information:

Special Temperature requirements: _____

Minimum Working Temperature: _____

Side Loading: _____

Special Loading and Unloading Requirements: _____

Additional Notes:

Quote options:

_____ Exactly as specified _____ Cheapest / Closest to Vestil standard

_____ Quickest to ship

Requested Delivery Date: _____

*All options may not be available on all models

Vestil Manufacturing Company * Angola, IN 46703 * Ph- 260-665-7586 * Fx- 260-665-1339